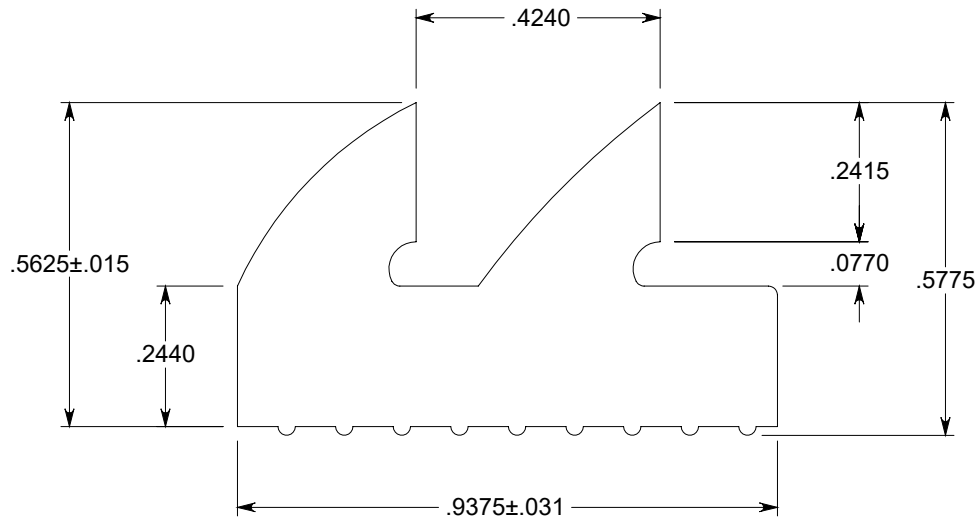


STANDARD REFERENCE DRAWING



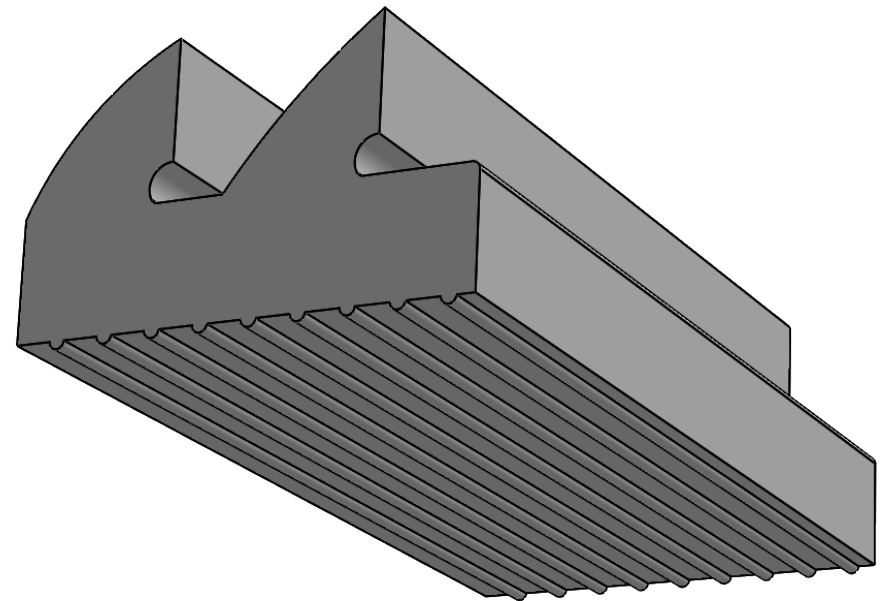
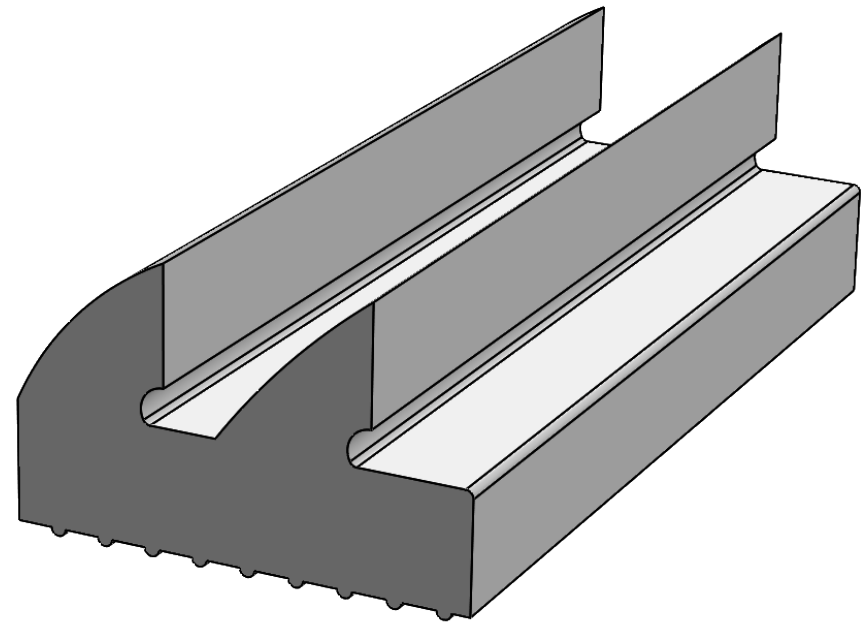
APPROX. AREA: 0.3400 SQ. IN.

RMA CLASS 2 TOLERANCES

50 DURO +, E-2

0.00 - 0.06 ± 0.010	0.39 - 0.63 ± 0.031
0.06 - 0.10 ± 0.014	0.63 - 0.98 ± 0.039
0.10 - 0.16 ± 0.016	0.98 - 1.57 ± 0.051
0.16 - 0.25 ± 0.020	1.57 - 2.48 ± 0.063
0.25 - 0.39 ± 0.027	2.48 - 3.94 ± 0.079

ABOVE 3.94 ± 3.5%



REFERENCE NO: BF-BR110SOG
 DESCRIPTION: BESTFITT BR-110 SO GASKET
 ASTM C443 - 40 POLY

DRAWN BY: ARMSTRONG
 DRAWN DATE: 12 MAR 2020

CHECKED BY: -
 CHECKED DATE: -

REVISION: -
 REV DATE: -

BestFit