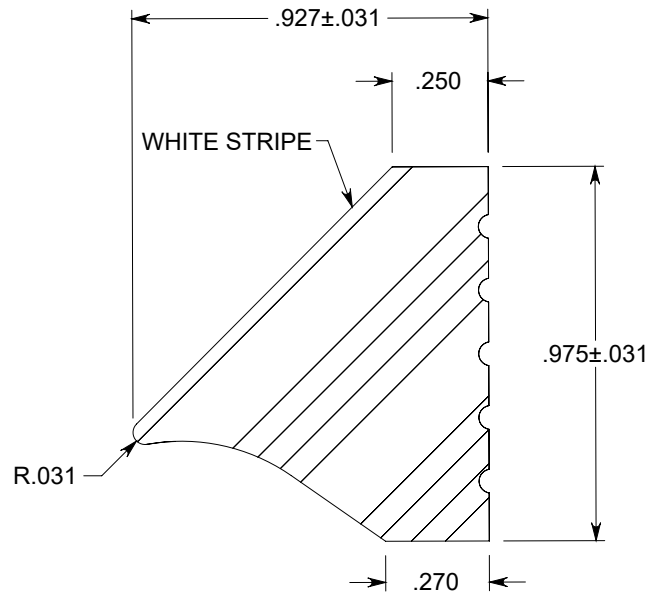
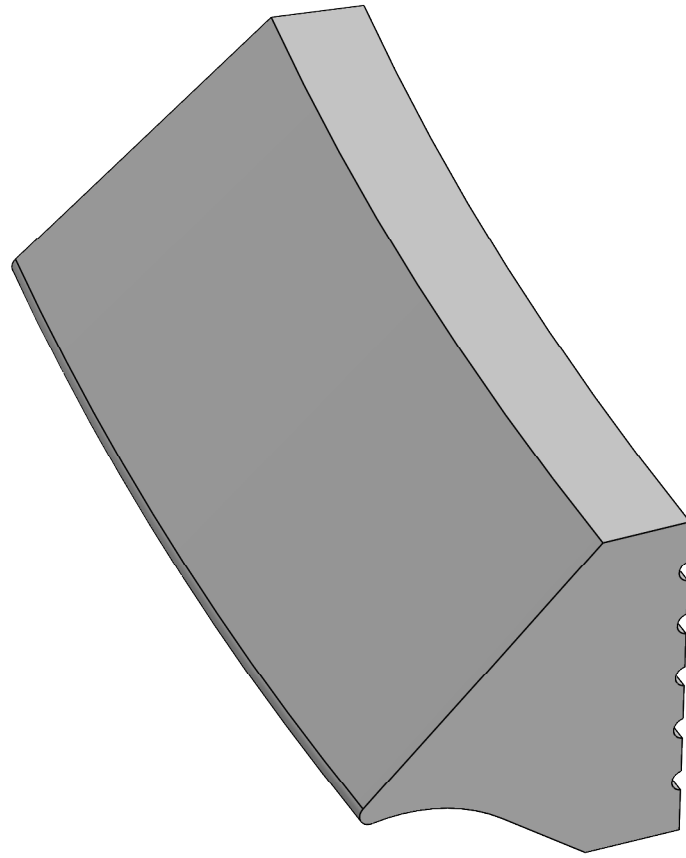


STANDARD REFERENCE DRAWING



SECTION A-A



APPROX. AREA: 0.523 SQ. IN.

RMA CLASS 2 TOLERANCES

0.00 - 0.06 ± 0.010	0.39 - 0.63 ± 0.031
0.06 - 0.10 ± 0.014	0.63 - 0.98 ± 0.039
0.10 - 0.16 ± 0.016	0.98 - 1.57 ± 0.051
0.16 - 0.25 ± 0.020	1.57 - 2.48 ± 0.063
0.25 - 0.39 ± 0.027	2.48 - 3.94 ± 0.079

ABOVE 3.94 ± 3.5%

REFERENCE NO: BFG PROFILE 1PC	DRAWN BY: ARMSTRONG	CHECKED BY: -	REVISION: -
DESCRIPTION: ASTM C433 POLYISOPRENE, 40 +/- 5	DRAWN DATE: 04 MAR 2020	CHECKED DATE: -	REV DATE: -
		BestFit	