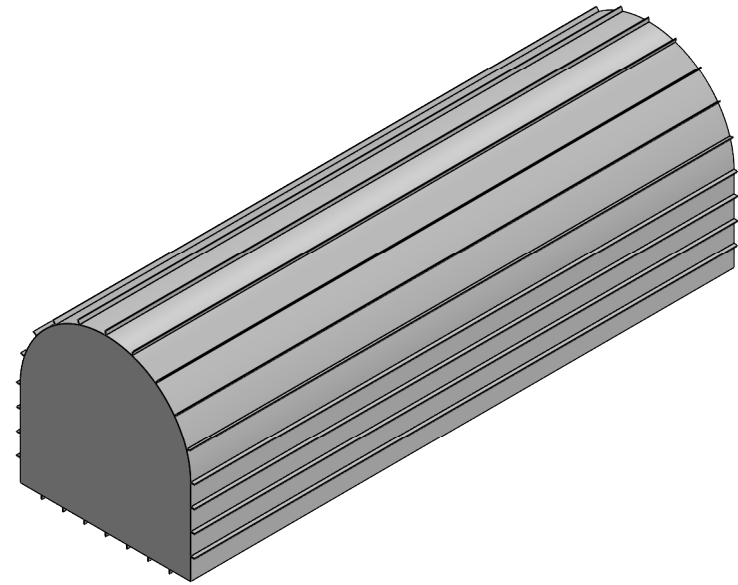
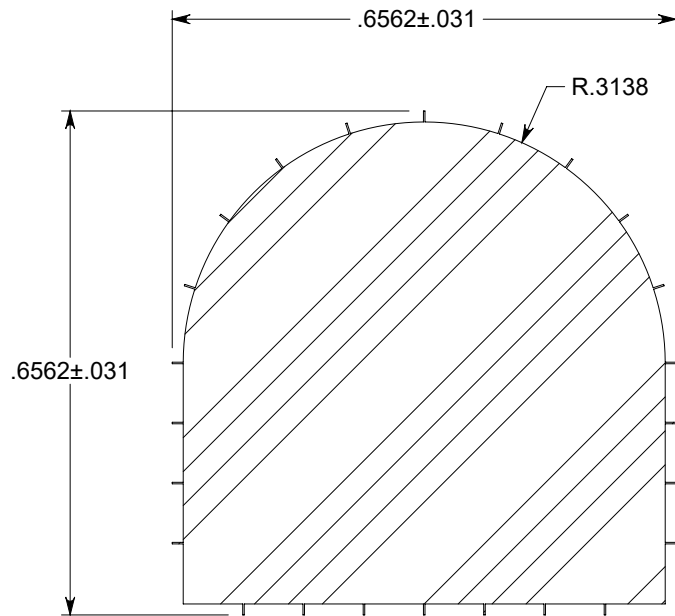


STANDARD REFERENCE DRAWING



APPROX. AREA: 0.354 SQ. IN.

RMA CLASS 2 TOLERANCES

0.00 - 0.06 ± 0.010	0.39 - 0.63 ± 0.031
0.06 - 0.10 ± 0.014	0.63 - 0.98 ± 0.039
0.10 - 0.16 ± 0.016	0.98 - 1.57 ± 0.051
0.16 - 0.25 ± 0.020	1.57 - 2.48 ± 0.063
0.25 - 0.39 ± 0.027	2.48 - 3.94 ± 0.079

ABOVE 3.94 ± 3.5%

REFERENCE NO: BFG D708

DESCRIPTION: BESTFIT D.708 ROLL-ON GASKET
ASTM C443 - 40 POLY

DRAWN BY: ARMSTRONG

DRAWN DATE: 23 MAR 2020

CHECKED BY: -

CHECKED DATE: -

REVISION: -

REV DATE: -

BestFit